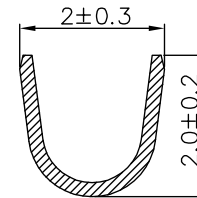
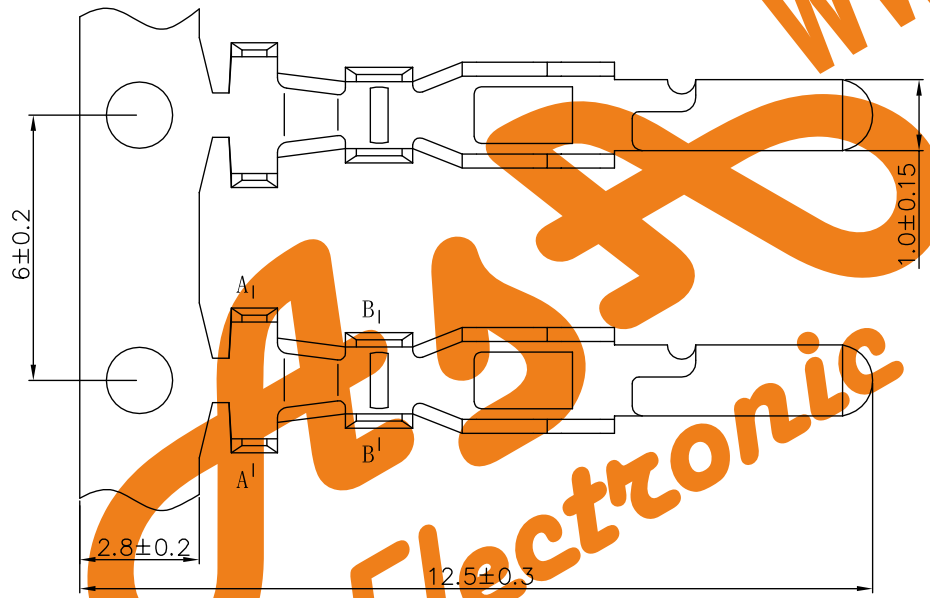
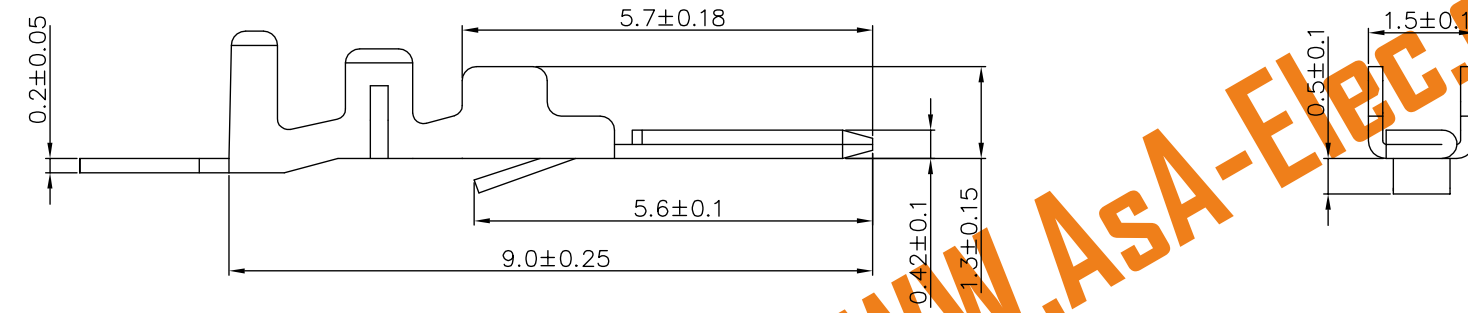
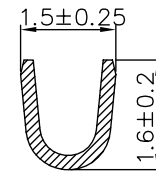


Male-Terminal



A-A



B-B



WWW.AsA-Elec.com

AsA Electronic Co.

Tel : (+98) 21 66 73 56 82 Mob : (+98) 912 03 161 02

Item							
Terminal							
20032	Unit	Scale	Design Unit	Size	Part No.		
WW20032-RT	mm	—	Metric	A4			
Draw	Review	Approve	Material	Drawing No.	Part No.		
			Material	Phosphor Bronze			